

ergonice[®]

ERGONOMIC WORKSPACES

Rise⁺

Assembly instructions

Notice de montage

Montage instructies

Montageanleitung

Istruzioni di montaggio

Instrucciones de montaje

Инструкция по сборке

Instrukcje montażu

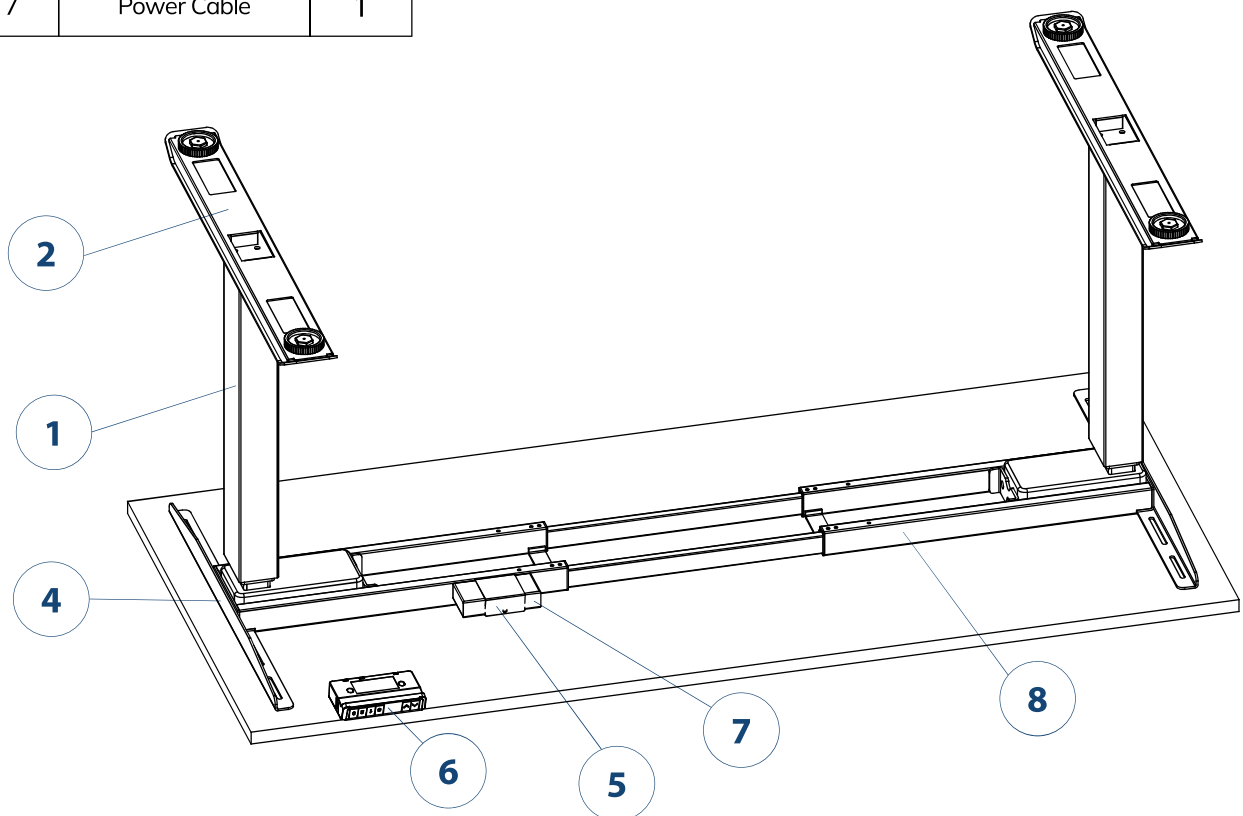
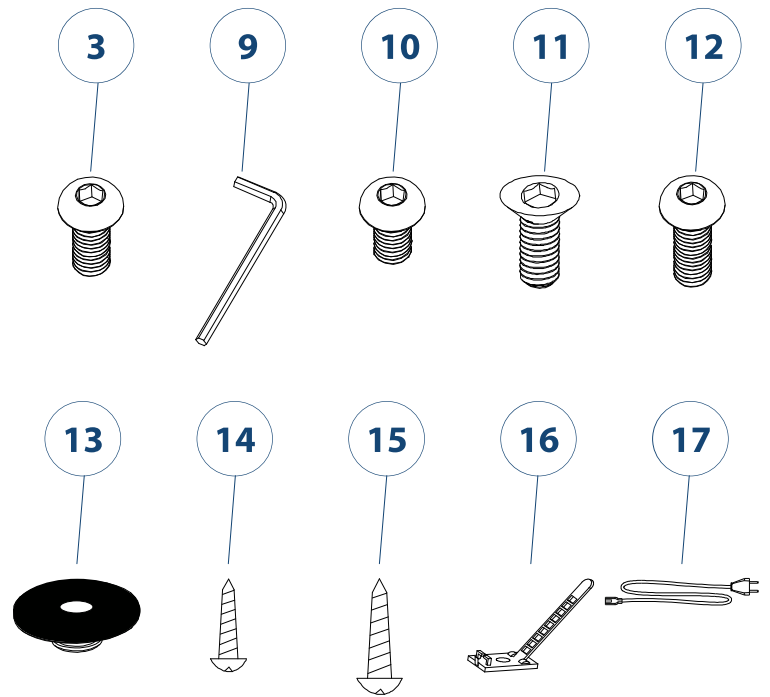


PARTS & TOOLS LIST

WATCH ▶

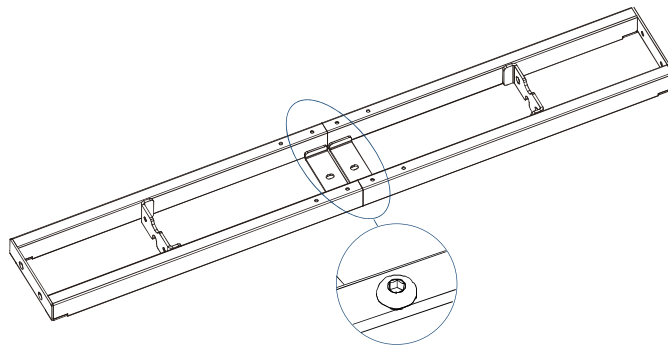


No.	Name	Qty
1	Legs	4
2	Support Beam	2
3	Bracket	4
4	Connection Beam	2
5	Adaptor Holder	1
6	Handset	1
7	Adaptor	1
8	Support Beam	1
9	4mm Hex Spanner	1
10	M6*10 Screw	4
11	M6*12 Screw	12
12	M6*16 Screw	4
13	Rubber Cushion	10
14	ST3.5*19 Screw	2
15	ST4.8*19 Screw	10
16	Cable Clip	5
17	Power Cable	1

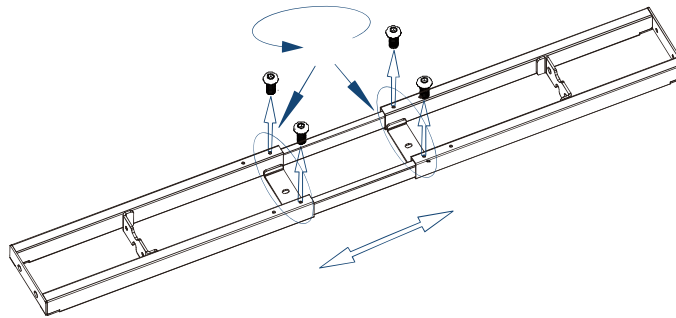


STEP 1

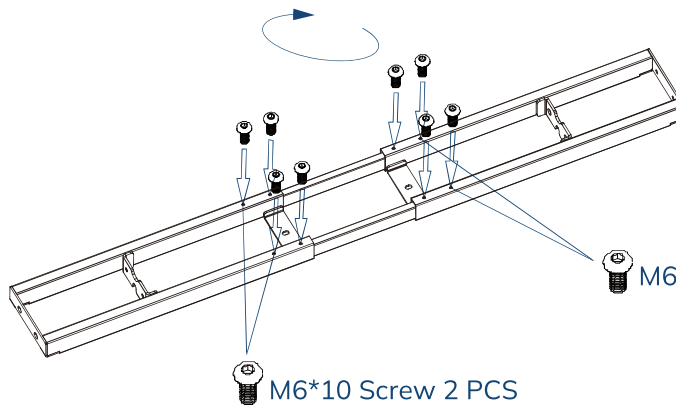
WATCH ▶



4MM HEX SPANNER

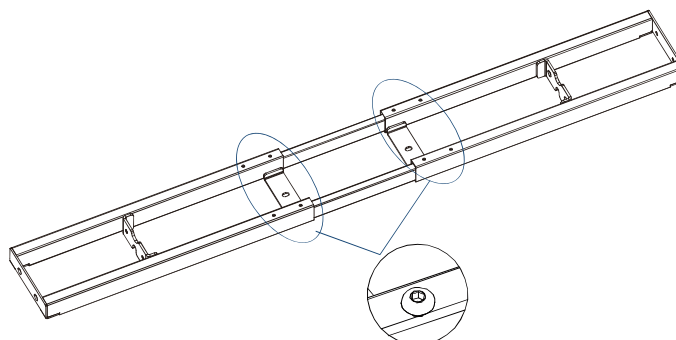


4MM HEX SPANNER



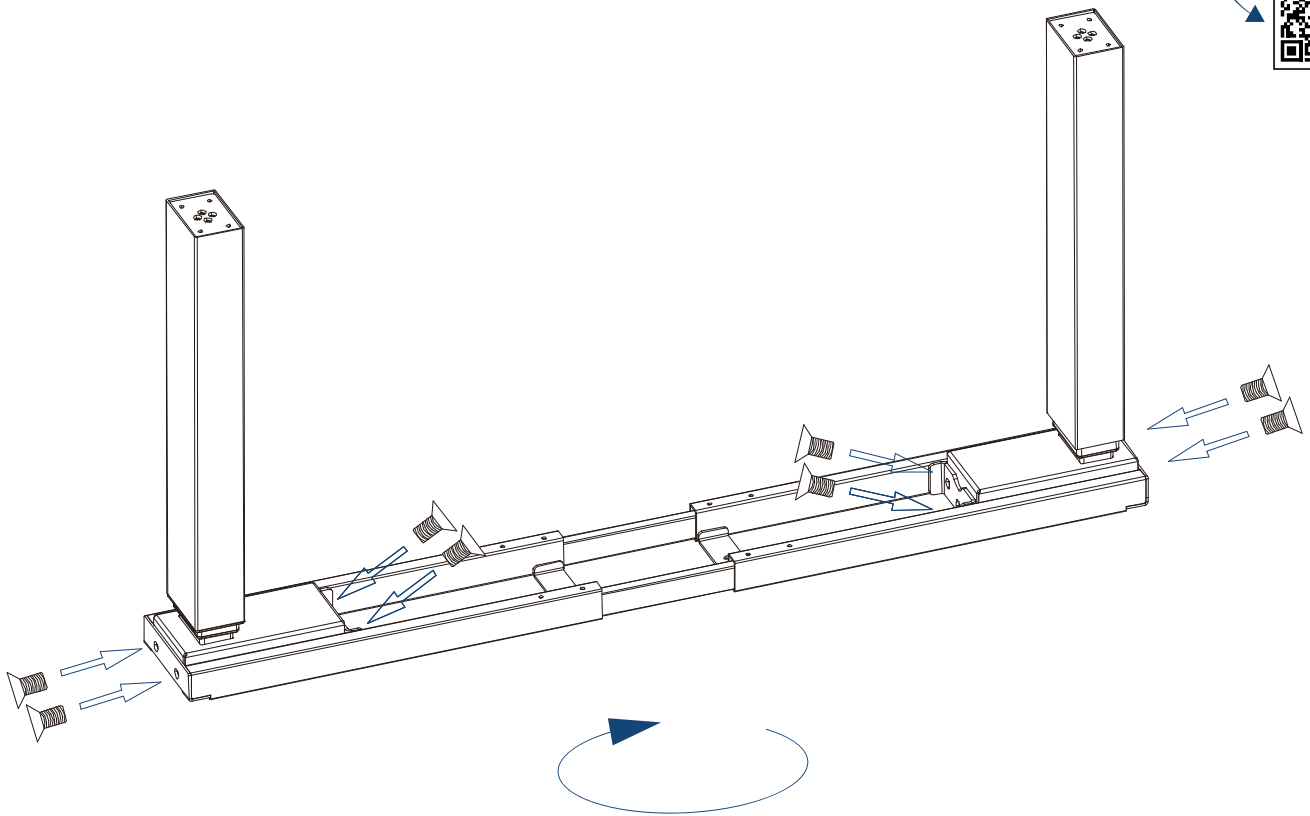
M6*10 Screw 2 PCS

M6*10 Screw 2 PCS

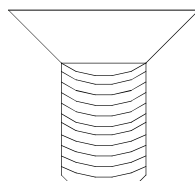


STEP 2

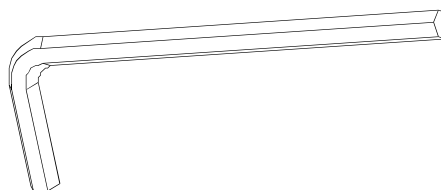
WATCH ▶

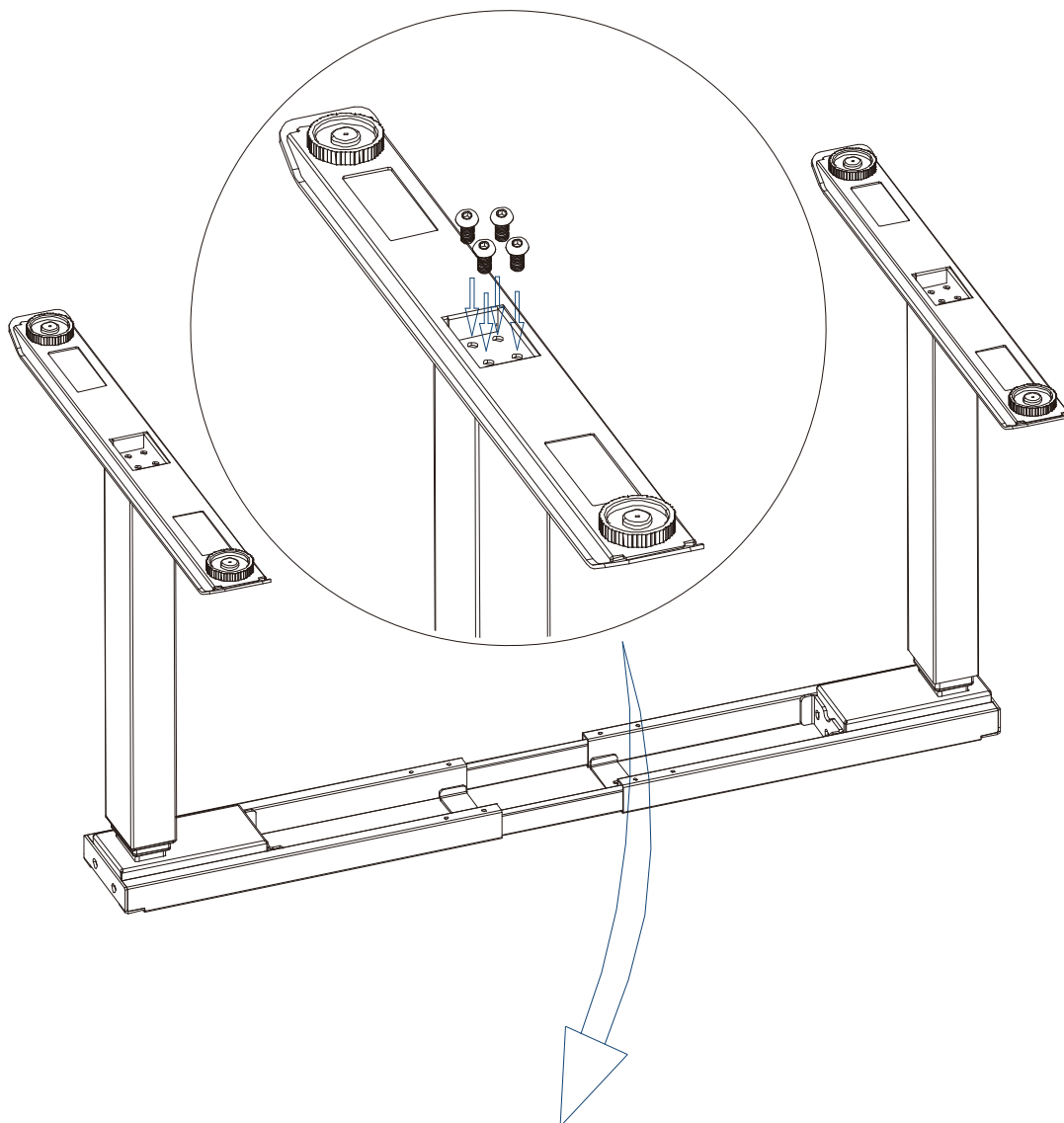


M6*12 SCREW 8PCS

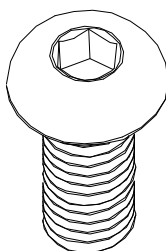


4MM HEX SPANNER

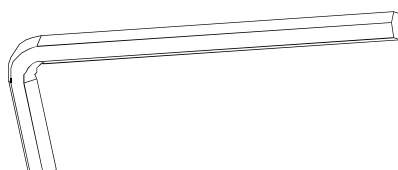




M6*14 SCREW 8PCS

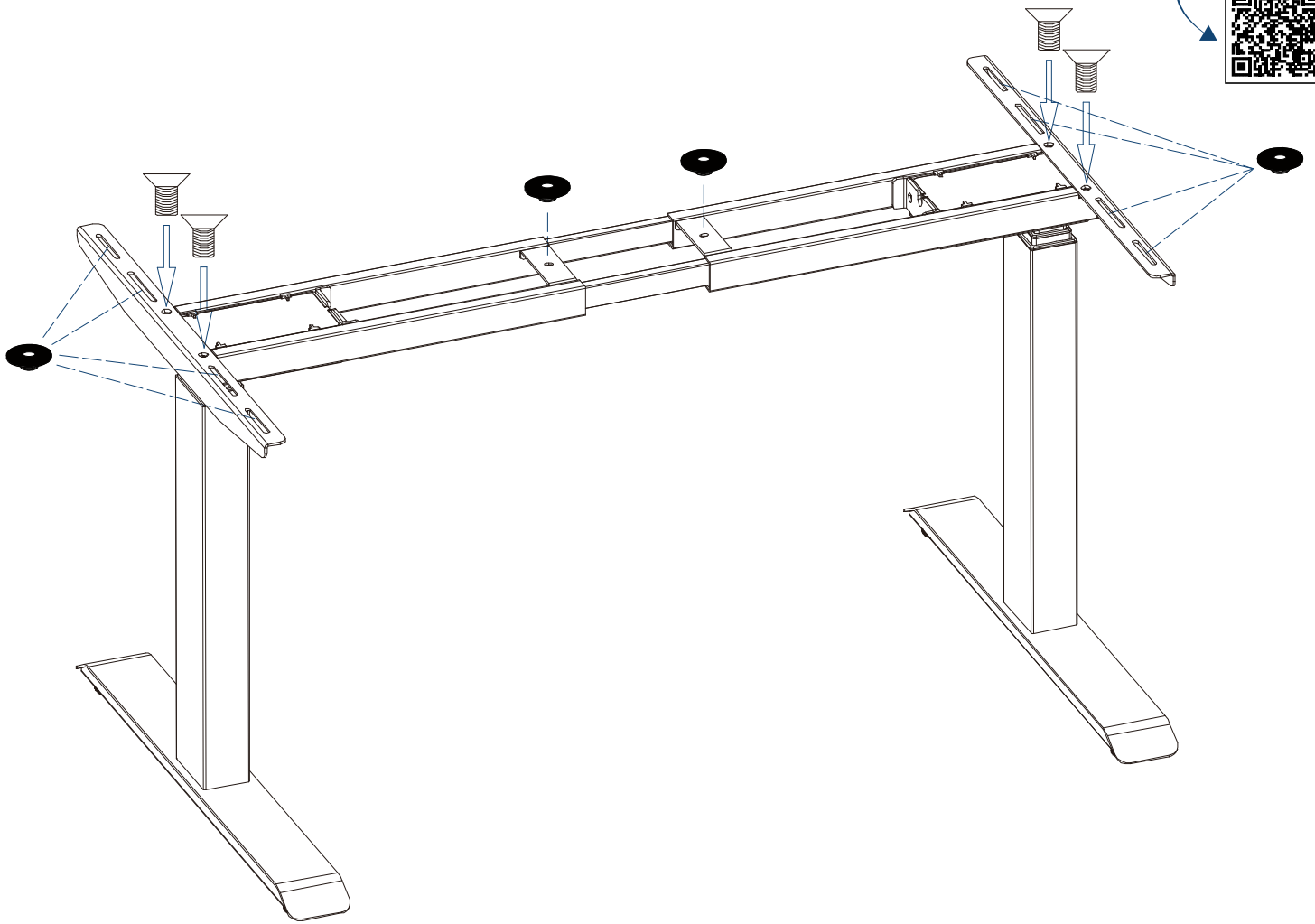


4MM HEX SPANNER

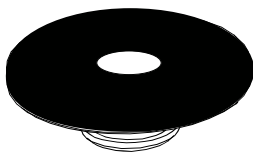


STEP 4

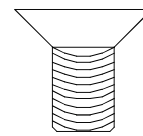
WATCH ▶



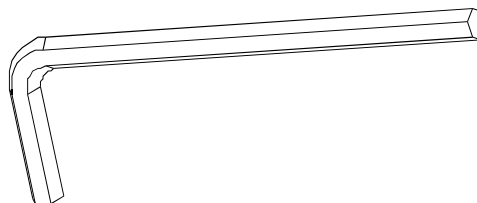
RUBBER CUSHION 10PCS



M6*12 SCREW 4PCS

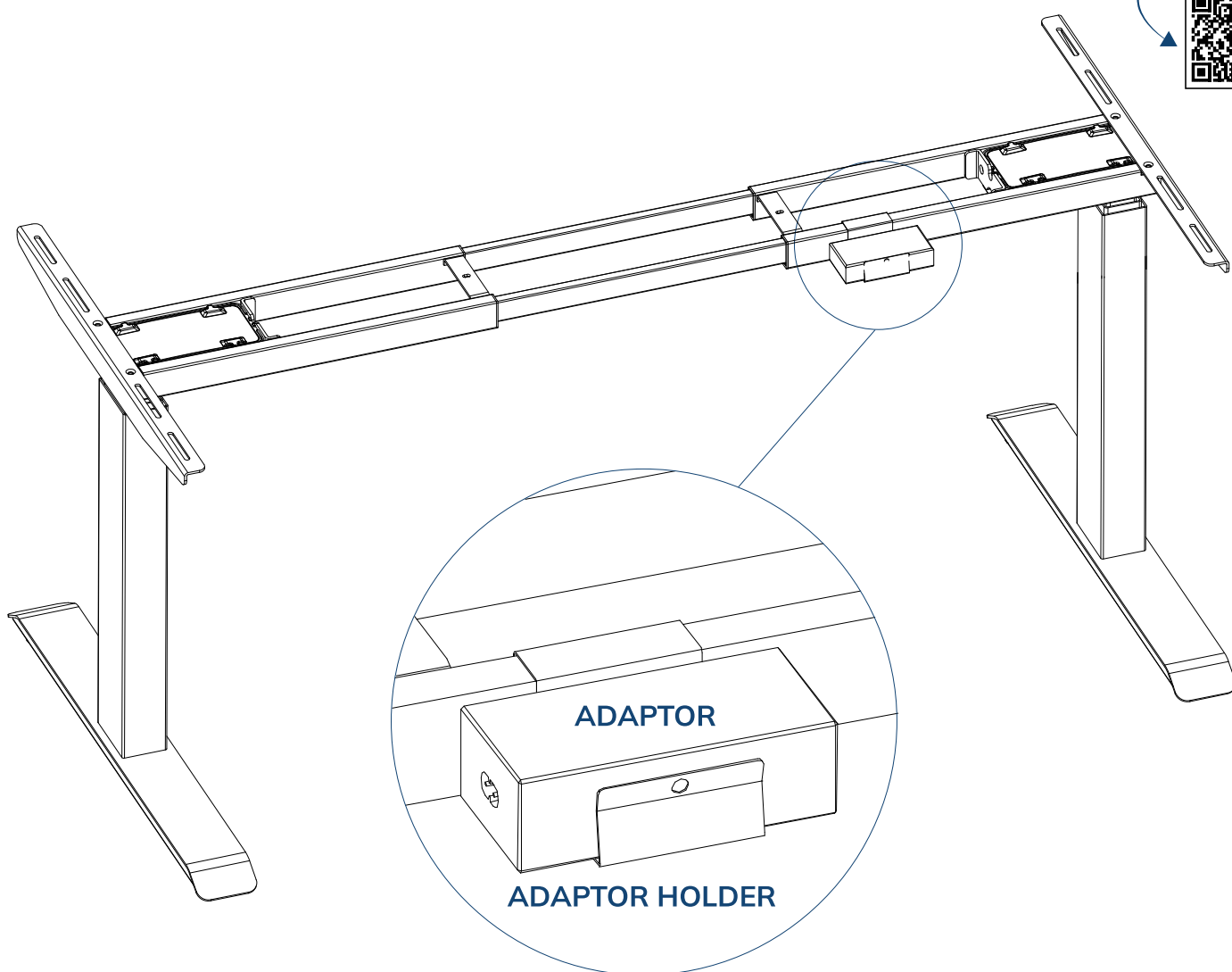


4MM HEX SPANNER



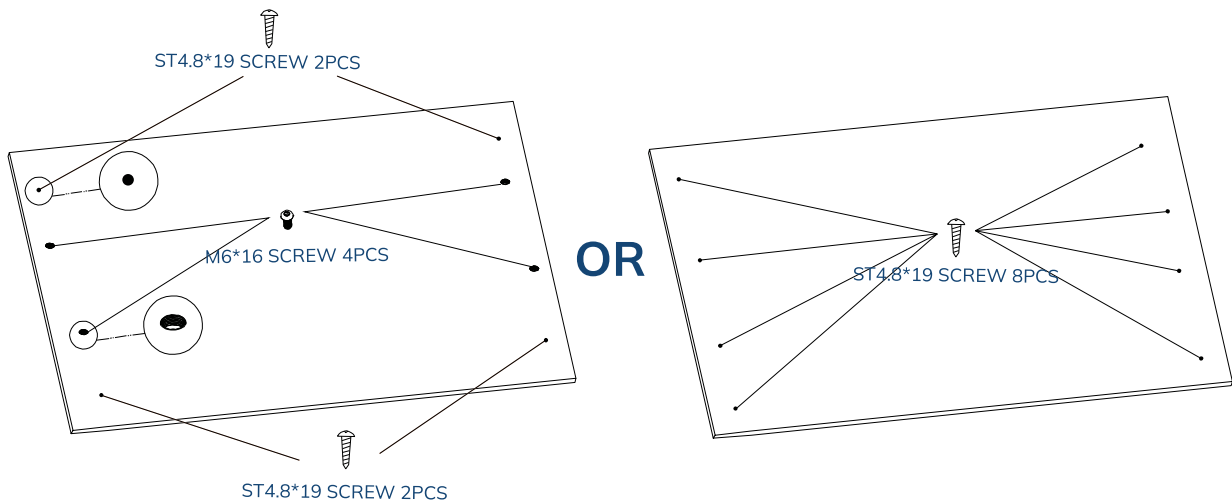
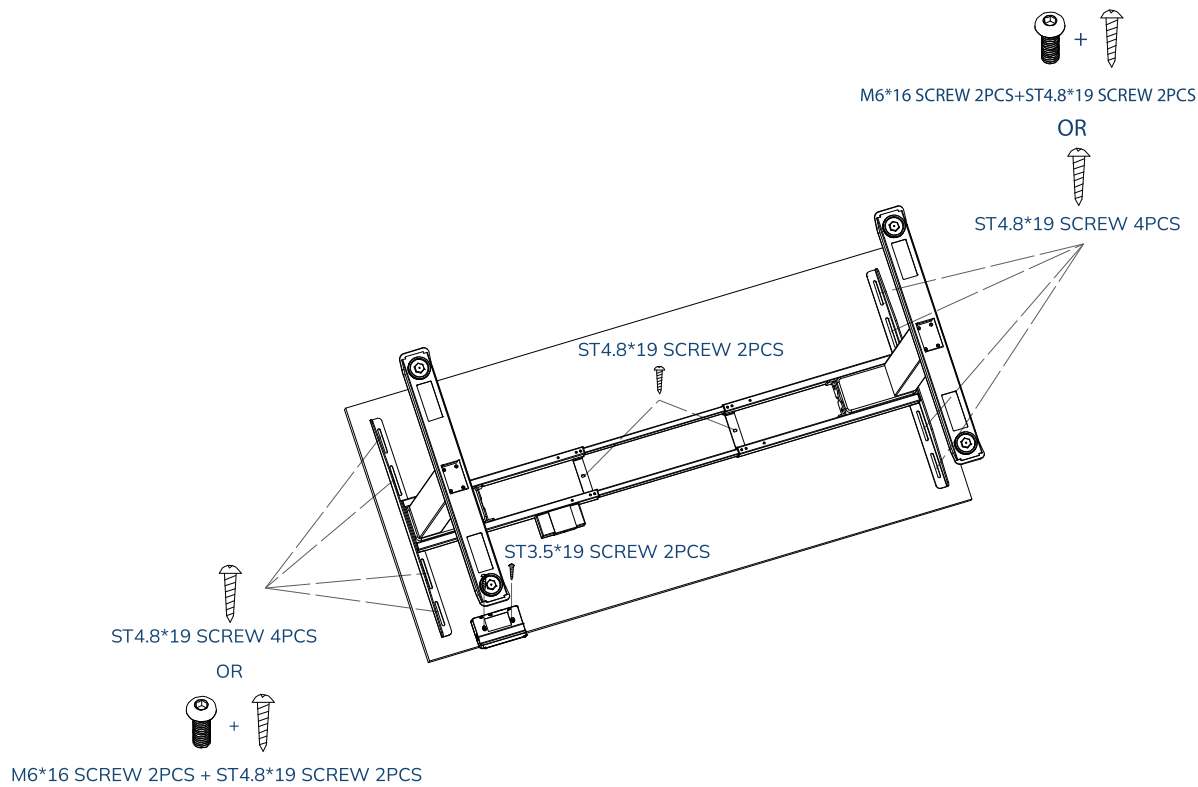
STEP 5

WATCH ▶



STEP 6

WATCH ▶



EN: Do not use ST4.8*19 screws for a table top that is thinner than 20 mm

FR: N'utilisez pas les vis ST4.8*19 pour un plateau de table plus mince que 20 mm

NL: Gebruik geen ST4.8*19 schroeven voor een tafelblad dat dunner is dan 20 mm

IT: Non usi ST4.8*19 viti per un piano da tavolo più sottile di 20 mm

ES: No utilice tornillos ST4.8*19 para un tablero de mesa que sea más delgado que 20 mm

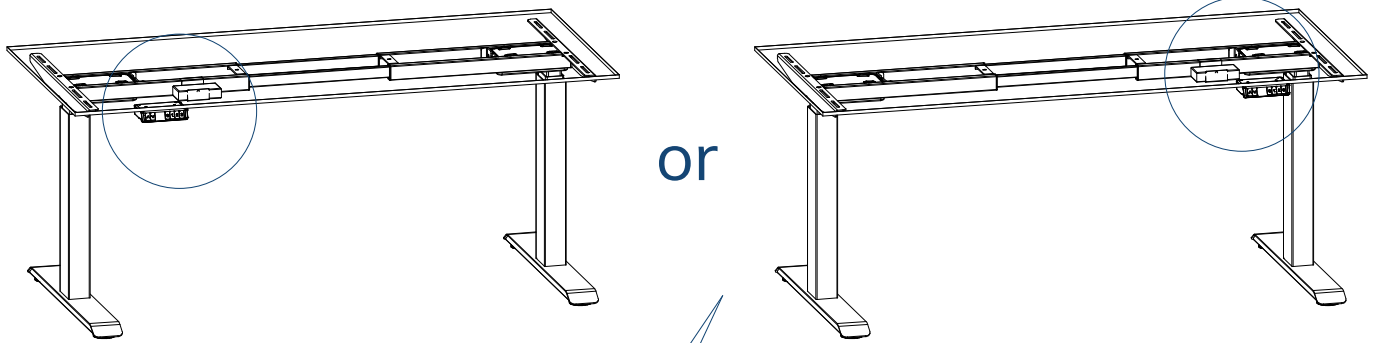
DE: Verwenden Sie keine Schrauben ST4.8*19 für eine Tischplatte, die dünner ist als 20 mm

RU: Не используйте ST4.8*19 винтов для столешницы, которая тоньше 20 мм

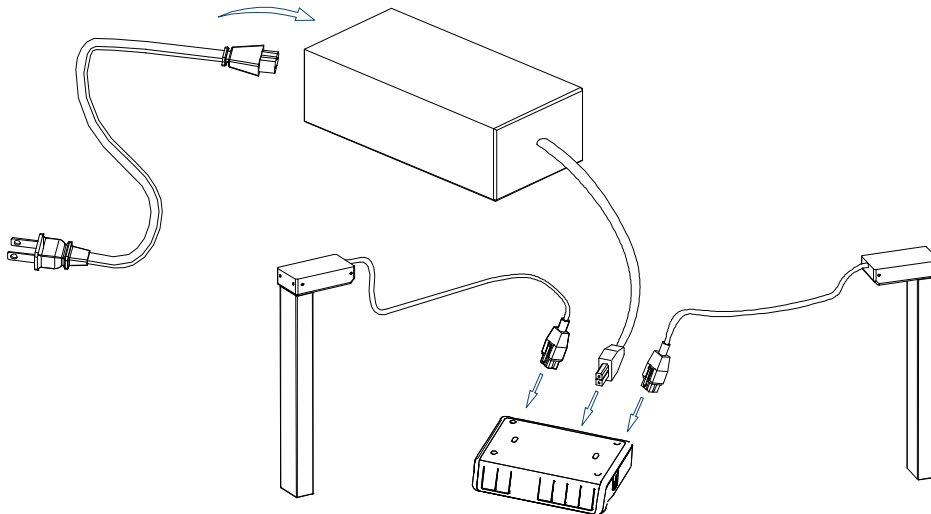
PL: Nie należy używać ST4.8*19 śrub do blatu, która jest cieńsza 20 mm

STEP 7

WATCH ▶



or



MAX.
120



ST3.5*19 SCREW 5PCS



CABLE CLIP

